

DATASHEET

Multi-Band 6 dBi Omni N-Jack Single MIMO antenna A2506NJ3-O

The 6 dBi outdoor Multiple-Input, Multiple-Output (MIMO) omnidirectional N-Jack antenna is designed to work with ProSoft Technology® RadioLinx® 802.11n radios. This antenna features three integrated omni antennas that work as a single MIMO antenna at both 2.4 GHz and 5 GHz in one fiberglass enclosure with (3) 36" Pigtail N-Jack connectors, making it an ideal antenna to support demanding outdoor applications.



Features

Benefits

MIMO (Multiple-Input, Multiple-Output)

- ◆ Three antennas within a single enclosure
- ◆ Send more data simultaneously
- ◆ Improve the ability of the radio to receive weak signals, providing better range

Multi-Band

- ◆ 2.4 GHz or 5 GHz antennas for single radio operation
- ◆ Maximizes 802.11n throughput through channel bonding using multiple frequency ranges
- ◆ Allows 802.11n radio to determine optimal rate to use based on environmental conditions and endpoint capabilities

Omnidirectional

- ◆ Link multiple directional antennas in outdoor point-to-multipoint communication systems
- ◆ Cover large areas efficiently with 360-degree signal pattern
- ◆ Signal available to all radios within range

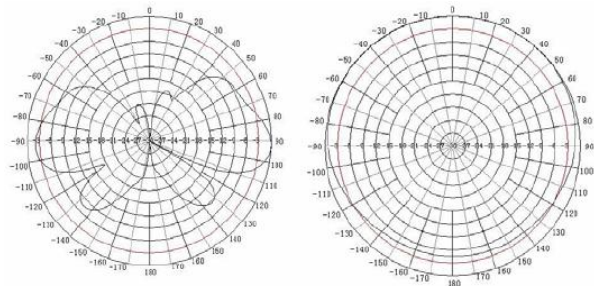
Compatibility

All antennas have been tested for compatibility with RadioLinx products. Please see the ProSoft Wireless Designer (PWD) configuration tool to assist you in choosing the best antenna for your application.

Specifications

Frequency Range	2.4 GHz to 2.5 GHz and 5.15 GHz to 5.85 GHz
Bandwidth	100 MHz at 2.4 GHz, typical 700 MHz at 5 GHz, typical
Gain	6 dBi
Vertical Beamwidth	40°
Horizontal Beamwidth	360°
VSWR	≤ 1.5 at 2.4 GHz ≤ 2.0 at 5 GHz
Nominal Impedance	50 Ohms
Polarization	Vertical
Isolation	≥ 25 dB
Electrical Downtilt	≤ 5°
Max Power	20 Watts
Connector	N-Jack with 36" Pigtail (x3)
Dimensions	6.0 in x 7.1 in (152.4 mm x 180.4 mm)
Weight	3.74 lbs (1.7 kg)
Mast Mount Diameter	1.57 in to 1.97 in (39.9 mm to 50 mm)
Wind Loading	134 miles per hour
Operating Temperature	-40°F to +158°F (-40°C to 70°C)

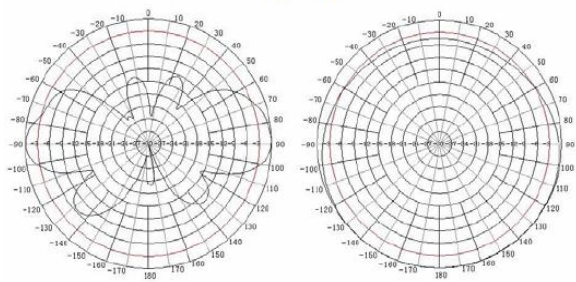
Patterns



E-Plane Pattern

H-Plane Pattern

2.4 GHz



E-Plane Pattern

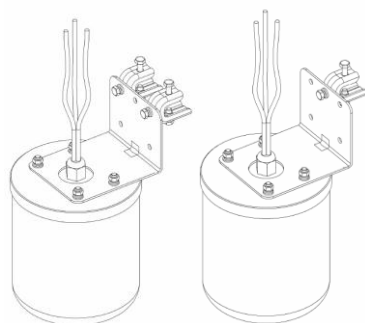
H-Plane Pattern

5 GHz

Mounting Information

Double Beam Clamp
Sample Installation Image

Single Beam Clamp
Sample Installation Image



Additional Products

ProSoft Technology® offers a full complement of hardware and software solutions for a wide variety of industrial communication platforms. For a complete list of products, visit our web site at: www.prosoft-technology.com

Ordering Information

To order this product, please use the following:

Multi-Band 6dBi Omni N-Jack Single MIMO antenna

A2506NJ3-O

To place an order, please contact your local ProSoft Technology distributor. For a list of ProSoft Technology distributors near you, go to: www.prosoft-technology.com and select Distributors from the menu.

Place your order by email or fax to:

North American / Latin American / Asia Pacific
orders@prosoft-technology.com
fax to +1 661.716.5101

Europe / Middle East / Africa
europe@prosoft-technology.com
fax to +33 (0) 5.61.78.40.52

Copyright © 2010 ProSoft Technology, Inc., all rights reserved. 12/28/2010

Specifications subject to change without notice.