



DeviceNet Router/B

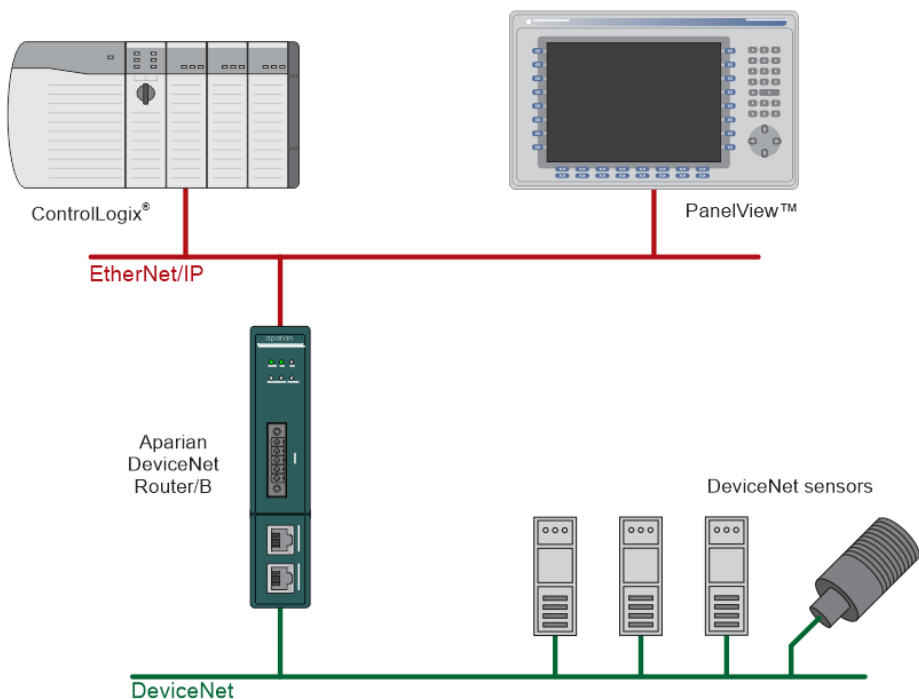
Quick Start Guide

A-DNTR/B

NOTE: Before installing, configuring, operating, or maintaining Aparian products, please review this information and the information located on www.aparian.com for the latest software, documentation, and installation files specific to your Aparian product.

INTRODUCTION

This quick start guide provides a basic overview of the installation, operation, and diagnostics of the Aparian DeviceNet Router Series B module. The DeviceNet Router/B provides intelligent data routing between either EtherNet/IP or Modbus TCP/RTU and a DeviceNet network. This allows the user to integrate DeviceNet devices into a Rockwell Logix platform (e.g., ControlLogix or CompactLogix) or any Modbus Client or Server device with minimal effort. The module can be configured to be either a DeviceNet Scanner or a DeviceNet Device allowing the user to not only integrate DeviceNet devices into a Logix or Modbus system, but to also allow the user to use EtherNet/IP or Modbus devices in an existing DeviceNet network (by using the DeviceNet Router/B in device mode).



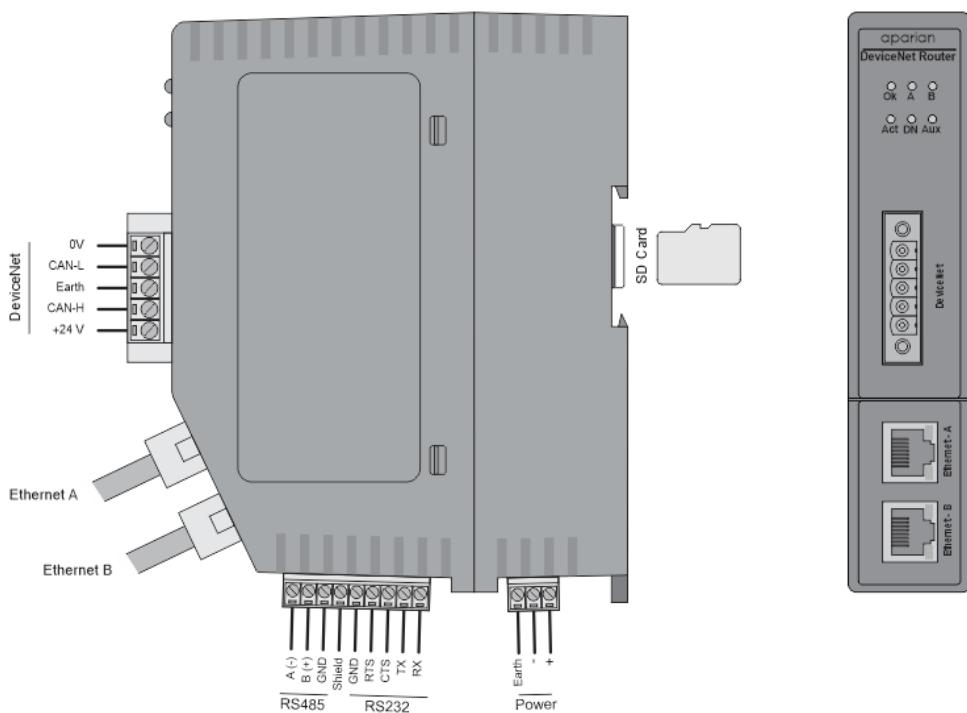
REQUIRED SOFTWARE

The DeviceNet Router/B requires Aparian Slate software to setup and configure. The software installation can be found at www.aparian.com/software/slate.

MODULE INSTALLATION

The module has two Ethernet ports located at the lower front of the module. There are also two ports at the bottom of the module for RS232/RS485 serial and power. The power port uses a three-way connector which is used for the DC power supply positive and negative (or ground) voltage as well as the earth connection. The at the front of the module there is a 5-way connector which is used for the DeviceNet network and can also be used for power. Both bottom and front power connectors can be plugged in at the same time.

The nine-way connector is used to connect the RS232 and RS485 conductors for serial communication. The shield terminal can be used for shielded cable in high noise environments.



LED	Description
Ok	The module LED will provide information regarding the system-level operation of the module.

	<p>If the LED is red, then the module is not operating correctly. For example, if the module application firmware has been corrupted or there is a hardware fault the module will have a red Module LED.</p> <p>If the LED is green (flashing), then the module has booted and is running correctly without any application configuration loaded.</p> <p>If the LED is green (solid), then the module has booted and is running correctly with application configuration loaded.</p>
A / B	<p>The Ethernet LED will light up when an Ethernet link has been detected (by plugging in a connected Ethernet cable). The LED will flash every time traffic was detected.</p> <p>This module has two Ethernet ports A and B. Each LEDs represents each specific port.</p>
Act	<p>The Act LED indicates if the module is operating as a DeviceNet target or DeviceNet Scanner.</p> <p><u>Solid Green</u> – The local DeviceNet Router/B is operating as a DeviceNet Scanner.</p> <p><u>Off</u> - The local DeviceNet Router/B is operating as a DeviceNet Target.</p>
DN	<p>The DeviceNet LED indicates the activity on the DeviceNet network.</p> <p><u>Flashing Red</u> – A corrupted or incorrect DeviceNet packet was received.</p> <p><u>Flashing Green</u> – A valid DeviceNet packet was received.</p> <p><u>Off</u> – No DeviceNet packets are being received.</p>
Aux	<p>The Aux LED will flash each time there was activity on any of the primary interfaces.</p> <p><u>Flashing Red</u> – A corrupted or incorrect packet was received on one of the Primary Interfaces (EtherNet/IP, Modbus TCP/RTU232/RTU485).</p> <p><u>Flashing Green</u> – A valid packet was received on one of the Primary Interfaces (EtherNet/IP, Modbus TCP/RTU232/RTU485).</p> <p><u>Off</u> – No activity.</p>

DEVICENET TERMINATION

All DeviceNet networks need to be terminated at the extremities (start and end point) of the communication conductor. The termination for the DeviceNet network can be enabled/disabled via the module configuration. Enabling the termination will connect an internal 120 Ohm resistor across the positive (+) and negative (-) conductors of the DeviceNet network.

ELECTRICAL AND ENVIRONMENTAL

Specification	Rating
Power requirements	Input: 10 – 32V DC,
Power consumption	2.2 W (Max.) Current: 180 mA @ 10 V Current: 85 mA @ 24 V

Temperature	-20 – 70 °C
-------------	-------------

STUDIO 5000 CONFIGURATION

The module must be added to the Logix IO tree using a EDS AOP (Logix v21+).

NORTH AMERICAN HAZARDOUS LOCATION APPROVAL

SUITABLE FOR USE IN CLASS I, DIVISION 2, GROUPS A, B, C AND D HAZARDOUS LOCATIONS, OR NONHAZARDOUS LOCATIONS ONLY.

WARNING - EXPLOSION HAZARD - DO NOT DISCONNECT EQUIPMENT WHILE THE CIRCUIT IS LIVE OR UNLESS THE AREA IS KNOWN TO BE FREE OF IGNITABLE CONCENTRATIONS.

WARNING - EXPLOSION HAZARD - SUBSTITUTION OF ANY COMPONENT MAY IMPAIR SUITABILITY FOR CLASS I, DIVISION 2.



For professional users in the European Union

If you wish to discard electrical and electronic equipment (EEE), please contact your dealer or supplier for further information.



WARNING – Cancer and reproductive harm – www.p65warnings.ca.gov

ADDITIONAL INFORMATION

The following resources contain additional information that can assist the user with the module installation and operation.

Resource	Link
Slate Installation	www.aparian.com/software/slate
DeviceNet Router/B User Manual	https://www.aparian.com/dnr
DeviceNet Router/B Datasheet	https://www.aparian.com/dnr
Ethernet wiring standard	www.cisco.com/c/en/us/td/docs/video/cds/cde/cde205_220_420/installation/guide/cde205_220_420_hig/Connectors.html
DeviceNet	http://www.odva.org
Slate Installation	www.aparian.com/software/slate

SUPPORT

Technical support will be provided via the Web (in the form of user manuals, FAQ, datasheets etc.) to assist with installation, operation, and diagnostics.

For additional support the user can use either of the following:

Contact Us web link	https://www.prosoft-technology.com/Services-Support/Customer-Support
Support email	support@prosoft-technology.com