



# DATASHEET

## PLX51-DLplus-232 Data Logger Plus

ProSoft Technology®

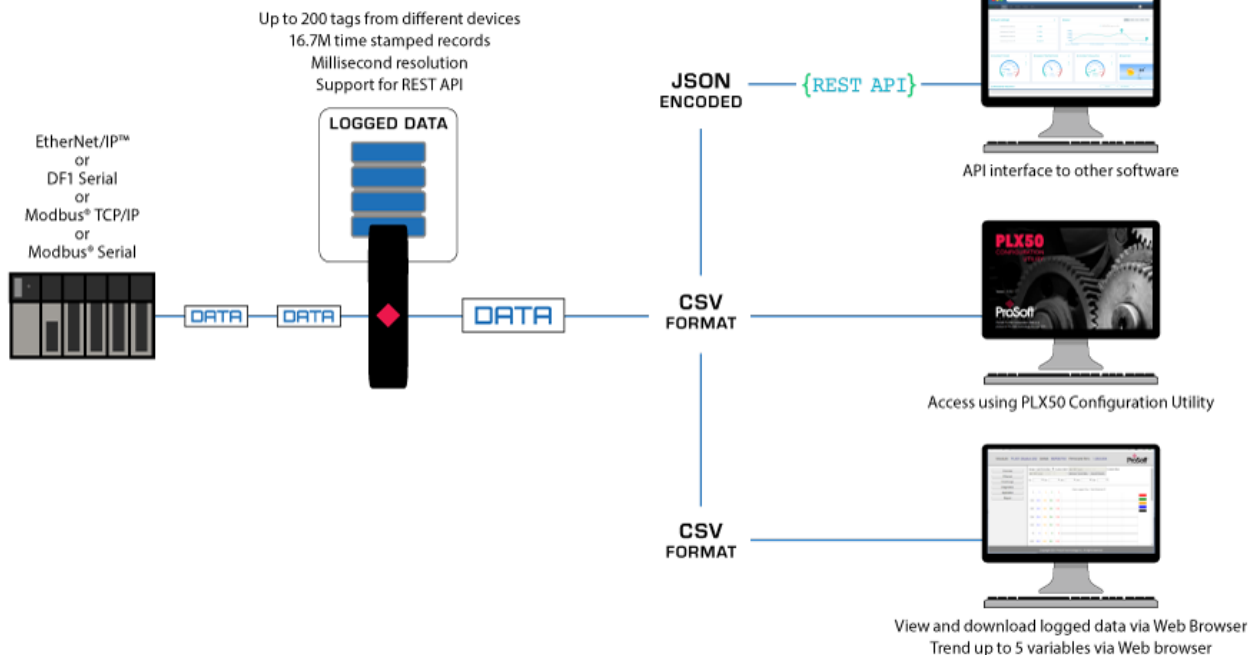
What if you could have your control devices' data stored for predictive maintenance or process improvements?

What if you could view and trend the stored data easily?

What if you could retrieve the stored data easily?

The PLX51-DLplus-232 Data Logger is ideal for remote sites with limited communications that need to log data. OEMs can log their machine's data to identify operational problems or efficiency improvements and can view this data online as trends via an integrated webserver. The trend data can be exported as a CSV file. The module supports REST API to collect JSON encoded data from the module that can be sent to other systems.

The PLX51-DLplus-232 can read and store data from EtherNet/IP™ PLCs, DF1 Serial PLCs and devices, or Modbus® PLCs and devices. The PLX51-DLplus-232 has the capacity to store over 16 million records in its solid-state non-volatile memory. Each stored record includes a Date Time stamp, Tag Name, Data Type, and Value.



## Features

- ❖ A built in web server to trend up to five (5) user defined variables with configurable time period
- ❖ REST API to collect JSON-encoded data and send to other systems
- ❖ Stored data can be downloaded to a CSV file via the webserver or manually using the PLX50 Configuration Utility
- ❖ A built-in webserver provides detailed diagnostics of system configuration and operation
- ❖ Two modes: Data stored until memory is full or oldest data overwritten when memory is full - First in, First out

## Specifications

<b>EtherNet/IP</b>	<b>Description</b>
Connector	RJ45
Conductors	CAT5 STP/UTP
ARP Connections	Max 20
TCP Connections	Max 20
CIP Connections	Max 10
Communication Rate	10/100 Mbps
Duplex Mode	Full / Half
Auto MDIX	Yes

<b>Serial Port</b>	<b>Description</b>
Baud Rate	1200, 2400, 4800, 9600, 19200, 38400, 57600, 115200
Parity	None, Even, Odd
Data Bits	8
Stop Bits	1
RS232 Connector	4-way terminal
RS232 Conductor	24 to 18 AWG
RS232 Isolation Voltage	2.5 kV

<b>DF1</b>	<b>Description</b>
Protocol	DF1 Full Duplex, DF1 Half Duplex
Error Detection	CRC, BCC
Embedded Response	Auto, On

<b>Modbus</b>	<b>Description</b>
Protocol	Modbus RTU, Modbus TCP/IP
Function Codes Supported	1: Read Coils 2: Read Discrete Inputs 3: Read Holding Registers 4: Read Input Registers

<b>Data Logging</b>	<b>Description</b>
Max Record Count	16,777,216
Max Tag Count	200
Log Criteria Supported	Delta Change, Heartbeat, Tag Triggers
Min Log Interval	50 ms
Data Types Supported	BOOL, SINT, INT, DINT REAL
Cached Records (Non-Volatile)	Yes
Log Triggers Supported	Yes
Data Sources	Logix Tags, DF1 File, Modbus (RTU and TCP/IP)

<b>Data Trends Report</b>	<b>Description</b>
Max Objects	5
Max number of records	10,000 per object
Upload to CSV	Yes, up to 1,000,000 records per object
Configure Tags	Yes
Configure Scaling	Yes

<b>REST API Support</b>	<b>Description</b>
JSON-encoded messages	Yes



Where Automation  
Connects™

## Global Distribution

ProSoft Technology® products are distributed and supported worldwide through a network of over 500 distributors in over 50 countries. Our knowledgeable distributors are familiar with your application needs. For a complete list of distributors, go to our website at:  
[www.prosoft-technology.com](http://www.prosoft-technology.com)

## Global Support

We are there for you

All ProSoft Technology products are backed with free technical support. Contact our worldwide Technical Support team directly by phone or email.

## Global Offices

We are where you are

ProSoft Technology has regional offices worldwide available to help you with all your industrial application needs. If you need help choosing a ProSoft Technology solution for your particular application check out our contact information under distributor sales on the website at:  
[www.prosoft-technology.com](http://www.prosoft-technology.com)

Whether your application is large or small, our technical professionals are there to help you choose the right communication solution.

## Hardware Specifications

Specification	Description
Enclosure	Plastic
Enclosure Rating	IP20, NEMA/UL Open Type
Dimensions (H x W x D)	101.0 x 22.5 x 120.0 mm
Power Requirements	Input: 10 to 28 VDC, (70 mA @ 24 VDC / 130 mA @ 10 VDC)
Power Consumption	1.7 W
Power Connector	3-way terminal
Conductors	24 to 18 AWG
Enclosure Rating	IP20, NEMA / UL Open Type
Temperature	-20°C to 70°C
Earth Connection	Yes, terminal based
Emissions	IEC61000-6-4
ESD Immunity	EN 61000-4-2
Radiated RF Immunity	IEC 61000-4-3
EFT/B Immunity	EFT: IEC 61000-4-4
Surge Immunity	Surge: IEC 61000-4-5
Conducted RF Immunity	IEC 61000-4-6

## Agency Approvals & Certifications

Please visit our website: [www.prosoft-technology.com](http://www.prosoft-technology.com)



## Additional Products

ProSoft Technology® offers a full complement of hardware and software solutions for a wide variety of industrial communication platforms. For a complete list of products, visit our website at: [www.prosoft-technology.com](http://www.prosoft-technology.com)

## Ordering Information

To order this product, please use the following:

## Data Logger Plus

PLX51-DLplus-232

To place an order, please contact your local ProSoft Technology distributor. For a list of ProSoft Technology distributors near you, go to: [www.prosoft-technology.com](http://www.prosoft-technology.com) and select *Where to Buy* from the menu.

Copyright © 2022 ProSoft Technology, Inc.  
All Rights Reserved. 6/22/2022  
For Public Use.

Specifications subject to change without notice.